

CENTURY Hawk IV - Addendum to instructions

Page 26 - control rod lengths (beginners-intermediate)

(Note: these lengths are measurements from the outside to the outside of the ball links)

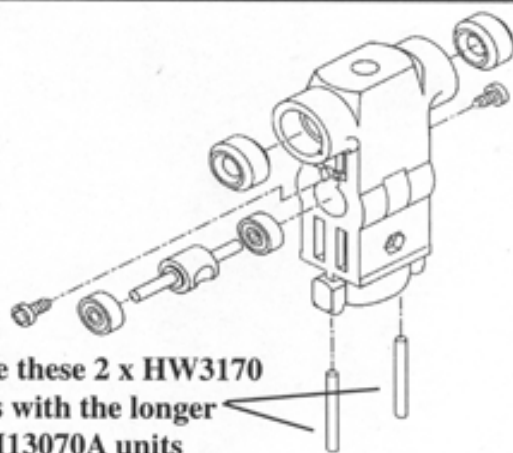
- Control Rod I (2 each): Bell mixer to seesaw - 35mm
- Control Rod A (2 each): Washout to flybar control - 51mm
- Control Rod J (2 each): Aileron bellcranks to swashplate - 61mm
- Control Rod C (2 each): Bell mixer to swashplate - 104mm
- Control Rod D (1 only): Collective servo to Collective arm - 102mm
- Control Rod E (1 only): Elevator servo to elevator bellcrank - 135mm
- Control Rod F (2 each): Aileron servo to aileron bellcranks - 158mm

CENTURY Hawk IV - 3D set-up modifications

From Page 5 / Step 1: replace the two short HW3170 (2.6mm x 24mm) washout guide pins with the longer HW3170A (2.6mm x 30mm) guide pins.
(see diagram)

From Page 6 / Step 4: Change the length of pushrod " I " from 34mm to 33mm.

Replace these 2 x HW3170 pins with the longer H13070A units



3D Control Rod Lengths

(Note: these lengths are measurements from the outside to the outside of the ball links)

- Control Rod I (2 each): Bell mixer to seesaw - 33mm
- Control Rod A (2 each): Washout to flybar control - 54mm
- Control Rod J (2 each): Aileron bellcranks to swashplate - 61mm
- Control Rod C (2 each): Bell mixer to swashplate - 106mm
- Control Rod D (1 only): Collective servo to Collective arm - 100mm
- Control Rod E (1 only): Elevator servo to elevator bellcrank - 135mm
- Control Rod F (2 each): Aileron servo to aileron bellcranks - 158mm