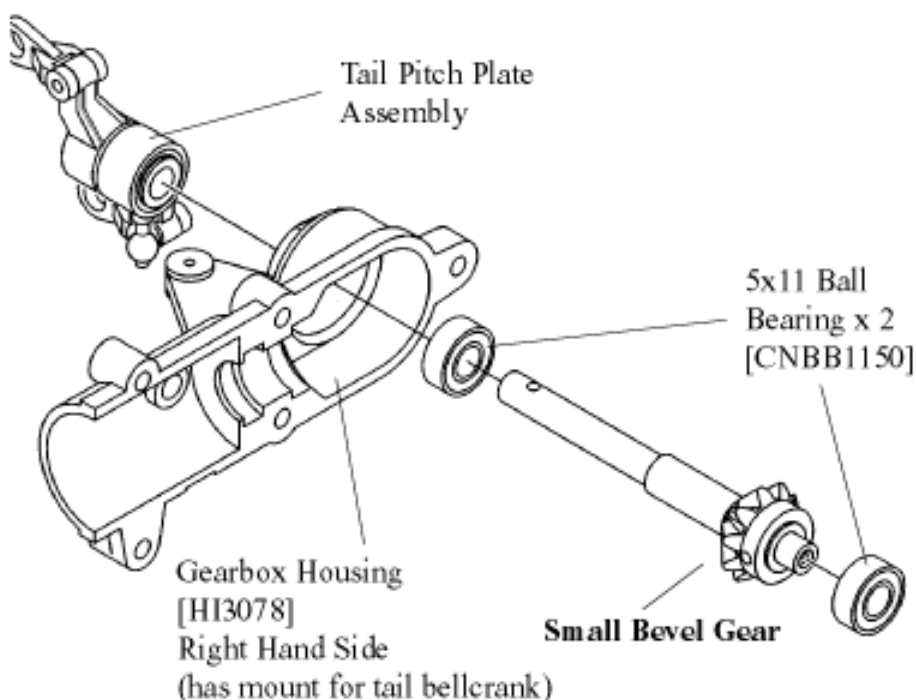


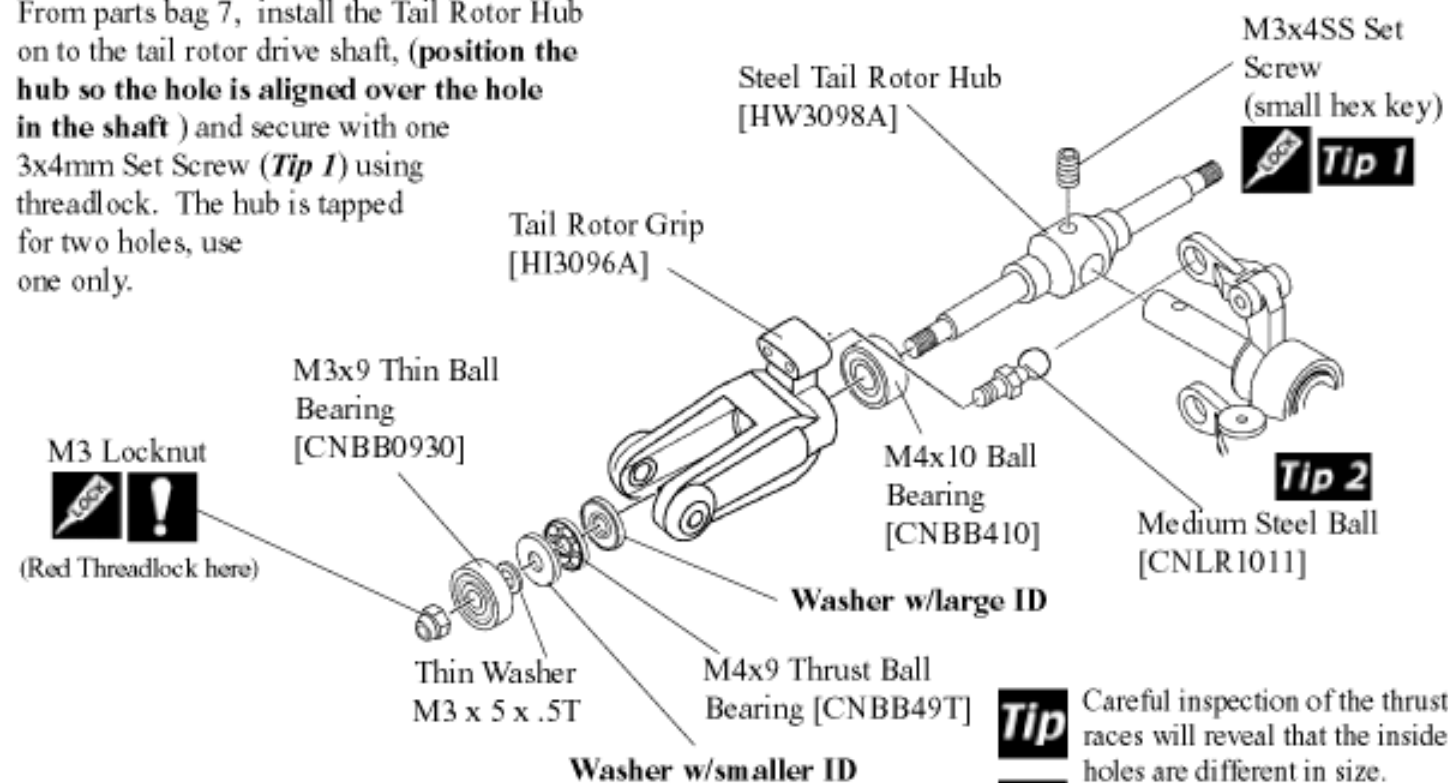
Step 30 Tail Gearbox Assembly

From parts bag 7, slide two Ball Bearings on each side of the Tail Rotor Output Shaft assembly and insert through the right side of the Tail Rotor Gearbox Housing, make sure the bearing is fully seated into the recess. Slide the tail rotor pitch plate assembly on the shaft.



Step 31 Tail Rotor Grip Assembly

From parts bag 7, install the Tail Rotor Hub on to the tail rotor drive shaft, (**position the hub so the hole is aligned over the hole in the shaft**) and secure with one 3x4mm Set Screw (**Tip 1**) using threadlock. The hub is tapped for two holes, use one only.



Install one short steel ball into the upper right hole in the tail rotor grip (**Tip 2**). Insert one M4x10 Ball Bearing into the blade grip on the ball side (make sure the bearing is fully seated flush into the grip). Slide the grip onto the tail hub and install the first steel washer (**larger inside diameter**) followed by the thrust ball race (remember to grease the ball race), followed by the second steel washer (**smaller inside diameter**). Next insert the M3x5x.05 washer and the M3x9 Thin Ball Bearing. Tighten the locknut slowly until there is no end play and the grip rotates smoothly.