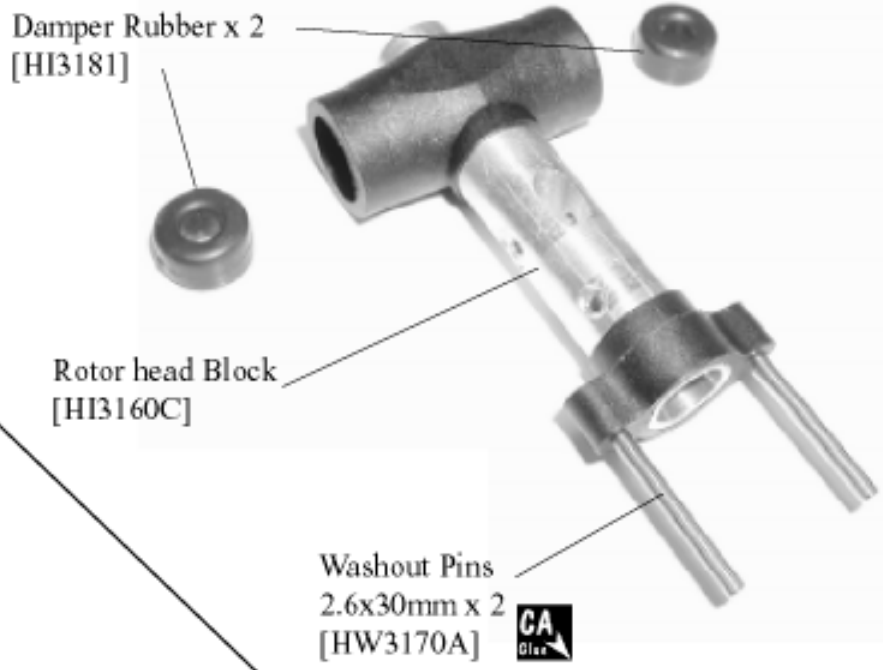


Step 1 Main Rotor Head

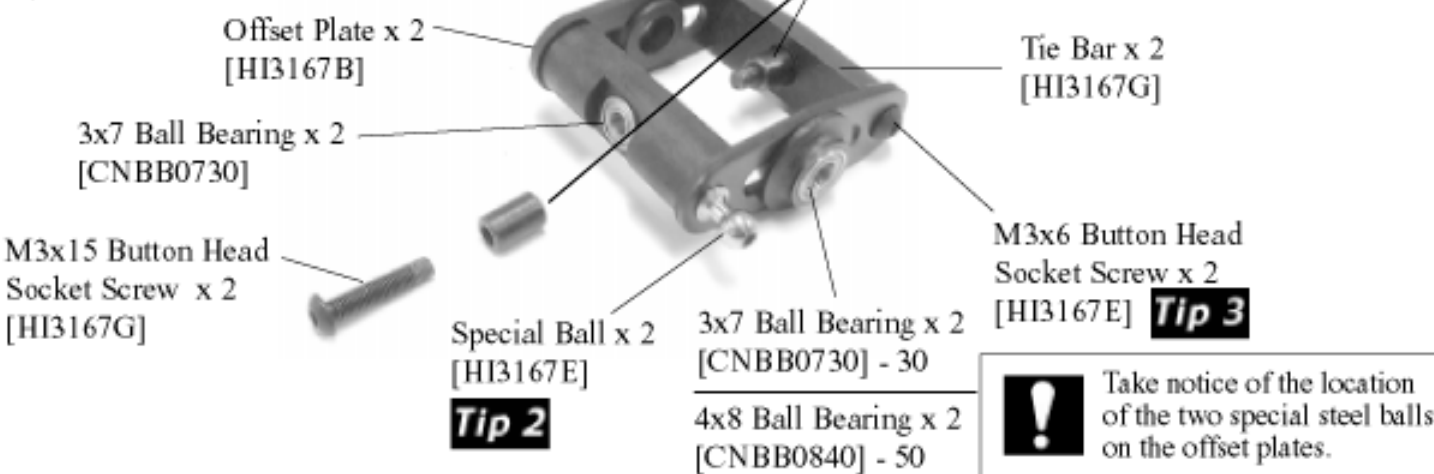
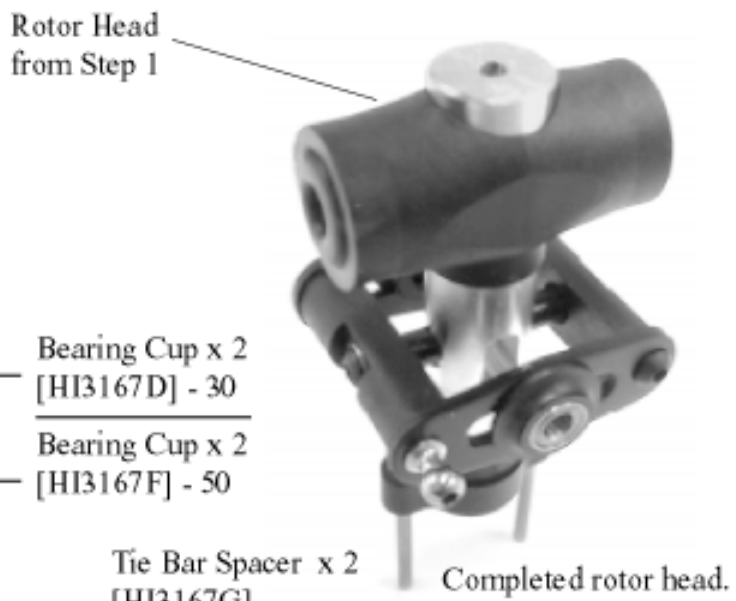
From parts bag 1, press in the Damper Rubbers and the Washout Pins into the Head Block.

Apply one drop of medium CA glue to the pin seats after the pins are fully seated.



Step 2 Seesaw Assembly

From parts bag 1, insert one ball bearing (BB0730 or BB0840) into each bearing cup and insert into the offset plate. Apply one small drop of medium CA glue to the back side of the bearing cup to secure to the offset plate. Insert one ball bearing into each tie bar. Insert one M3x6 button head screw through the right side hole of the offset plate into one tie bar. Make two identical sub assemblies. Note that the bearing cups face outwards from the head block. Insert one M3x15 button head screw through the tie bar bearing, slide one steel spacer and carefully apply threadlock to the exposed threads and insert into the right side of the head block. Do not overtighten. Repeat for the second sub assembly. Once complete, insert one M3x7 Special ball into each offset plate to complete the assembly.



Tip 2

Tip 3 Take notice of the location of the two special steel balls on the offset plates.