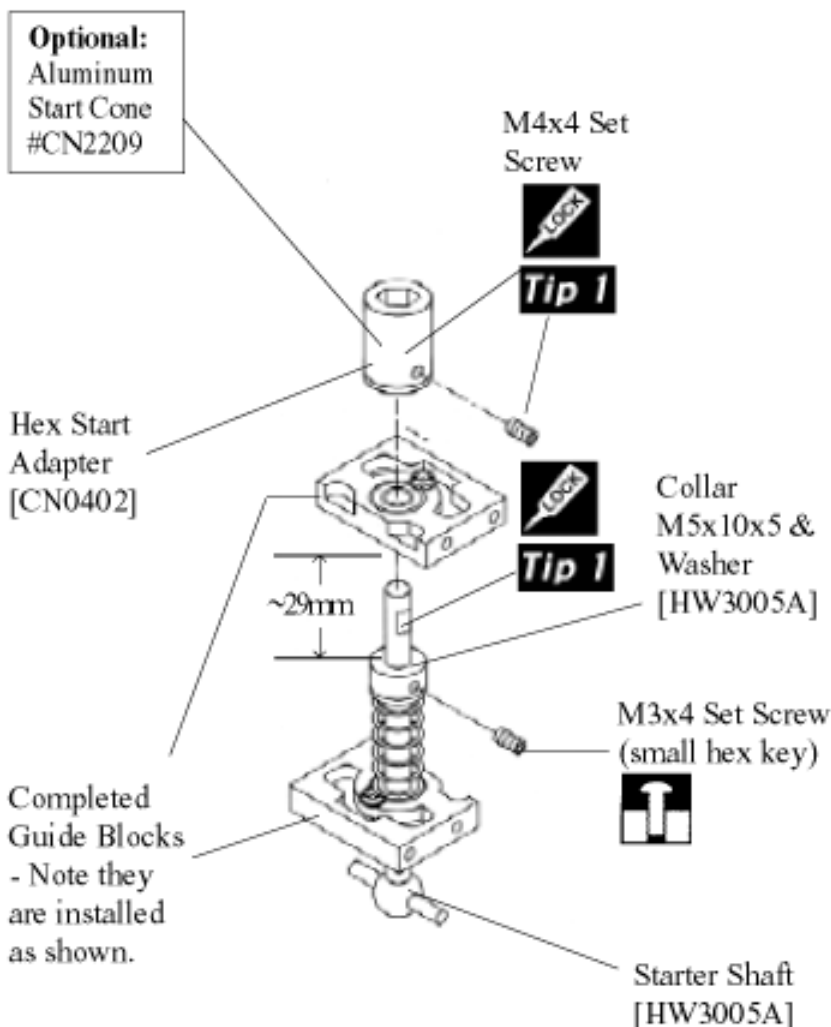


Step 10 Starting Shaft & Hex Coupler

From parts in bag 2, slide the M5x10 Collar spaced approximately 29mm from the top of the start shaft and partially tighten with one M3x4 Set Screw. (After the engine assembly is installed the position on the start shaft will be adjusted using threadlock to allow the starting shaft to disengage from the cooling fan.) Assemble the hex starter adapter by installing the second Guide Block onto the start shaft, insert the M4x4 set screw through the hole in the side of the Hex Adapter. Position the set screw on the flat spot and tighten in place (*Tip 1*) using threadlock. Apply some lubricant on the shaft after assembly to ensure smooth vertical operation.

Hex Starter Extension (Optional Part #CN0426A)



Engine Start Procedure with Hex Coupler

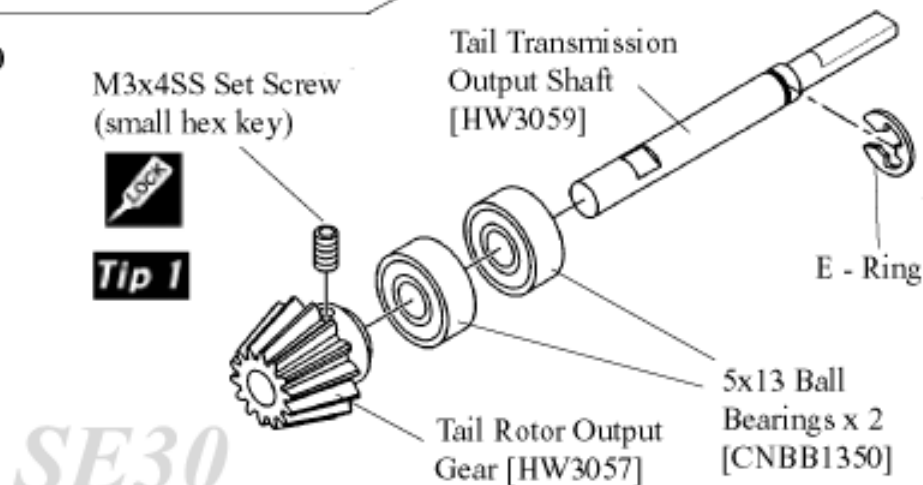
When removing the hex start extension after the engine has started, it is recommended that you use a two step procedure.

Step #1: Lift the hex extension upwards just enough to disengage the start shaft while keeping the extension inserted in the hex coupler (CN0402).

Step #2: After the coupler has stopped turning, then remove the extension completely.

Step 11A Wire Drive Pinion Gear 30

From parts bag 2, assemble the Tail Transmission Output Gear. Install the E-Ring then slide two Ball Bearings onto the Tail Rotor Output Shaft. Using threadlock, insert one 3x4mm Set Screw (*Tip 1*) into the gear, note where the flat spot is on the shaft and slide the gear on and tighten the set screw (**Make sure the set screw is positioned over the flat spot**).



SE30