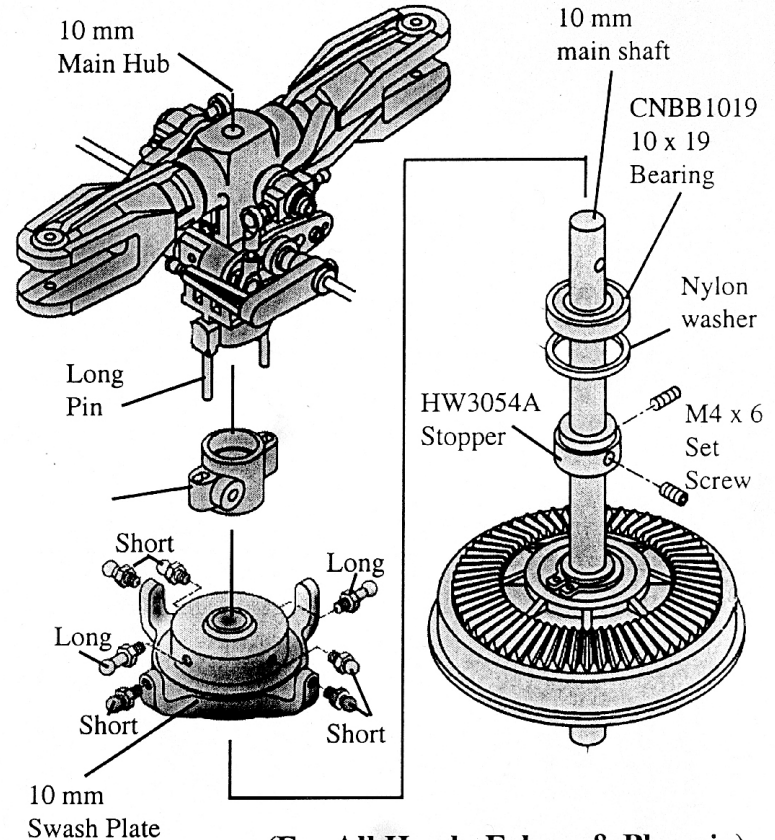


# CN2234 10 mm Long Main Shaft Conversion Kit

1. Install two 4x5mm Set Screws on the 10mm Mast Stopper then slide the mast stopper on the main shaft followed by one 14x19mm nylon washer, only assemble at this time. Slide new M10x19 Ball bearing from the top of the main shaft.
2. Attach the New 10mm Swash plate then after new 10mm Washout Mixing base, switch over all mixing arm and linkage.
3. Two extra long pin will need to install into new 10 mm rotor head hub by using a plier.
4. Switch all parts from old rotor head to new 10 mm rotor hub, slide the new head assembly into main shaft then reinstall all linkage back.
5. Readjust pitch curve if need.



(For All Hawk, Falcon & Phoenix)

for Ball Bearing elevator assembly - required to purchase HI3032B